

<b>Quartz Crystal Series</b>	 <b>Features</b> ◆ RoHS Compliant     ◆ Three package versions			
JU-3*8(J38B)/JU-2*6(J26B) JU-1.4*5(J15B) JU-2*6/SMD(J26C/J26D)				

### Electrical Specifications

Item	Specifications				Remarks
Series	JU-3*8	JU-2*6	JU-2*6/SMD	JU-1.4*5	
Nominal Frequency Range	32.768KHz				Standard
	16KHz to 200KHz				Available
Frequency Tolerance	±20ppm(Standard)				Others are offered
Temperature Coefficient	-0.034±6ppm×10 <sup>-6</sup> /°C <sup>2</sup>				
Turn Over Temperature	25°C ±5°C				
Operating Temperature Range	-20°C to +70°C		-40°C to +85°C		
Storage Temperature Range	-40°C to +85°C		-55°C to +125°C		
Series Resistance	30KΩ	35KΩ	40KΩ		32.768KHz
	As ESR table				30KHz to 170KHz
Shunt Capacitance	1.8pF	1.3pF	1.5pF		Typical
Quality Factor	60,000				Typical
Capacitance Ratio	450				Typical
Load Capacitance	12.5pF(Standard)				6pF to 12.5pF
Drive Level	1.0μW				Maximum
Insulated Resistance	500MΩ				Minimum at 100Vdc
Aging	±3ppm/year				Maximum

### ESR(Series Resistance)

Frequency(KHz)	KΩ Max	Frequency(KHz)	KΩ Max
16.000~40.000	45	70.000~120.000	12
40.000~60.000	20	120.000~200.000	10
60.000~70.000	15		

### Stability vs. Temperature

		◆ Standard					Remarks
		1	2	3	5	6	
◇ Please specify		±10ppm	±20ppm	±30ppm	±50ppm	±15ppm	±25ppm
B	-10°C to +60°C	◇	◇			◇	
C	-20°C to +70°C	◇	◆	◇	◇	◇	Standard
D	-40°C to +85°C		◇	◇	◆	◇	

### Load Capacitance Codes

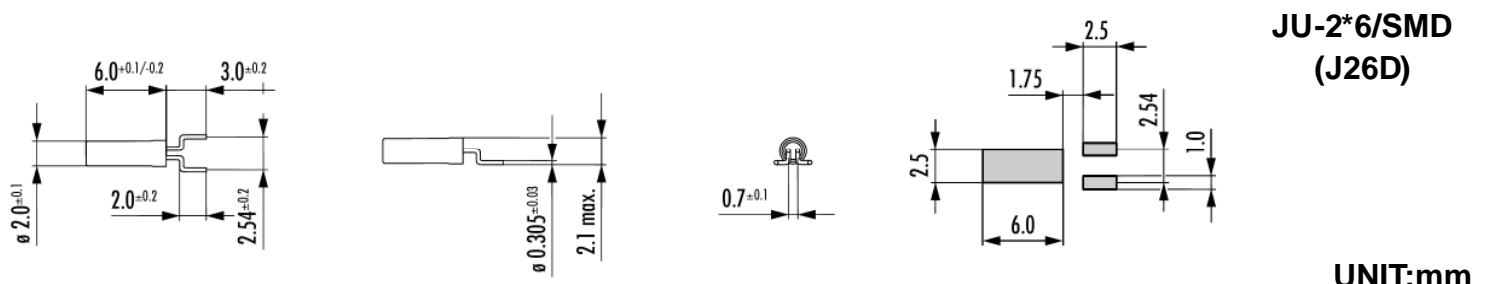
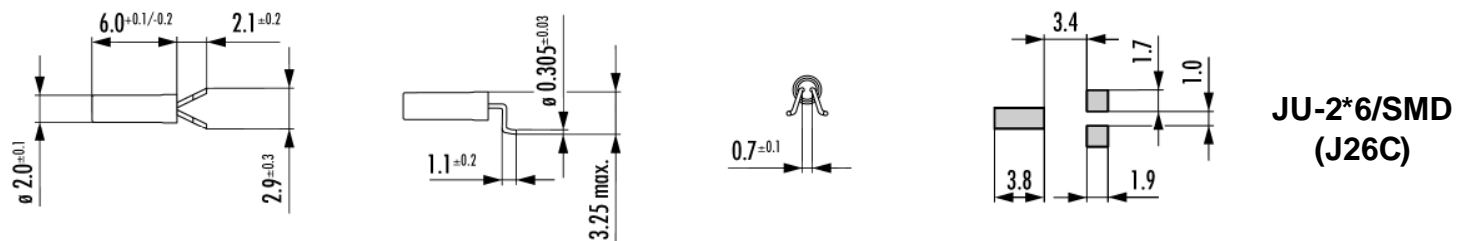
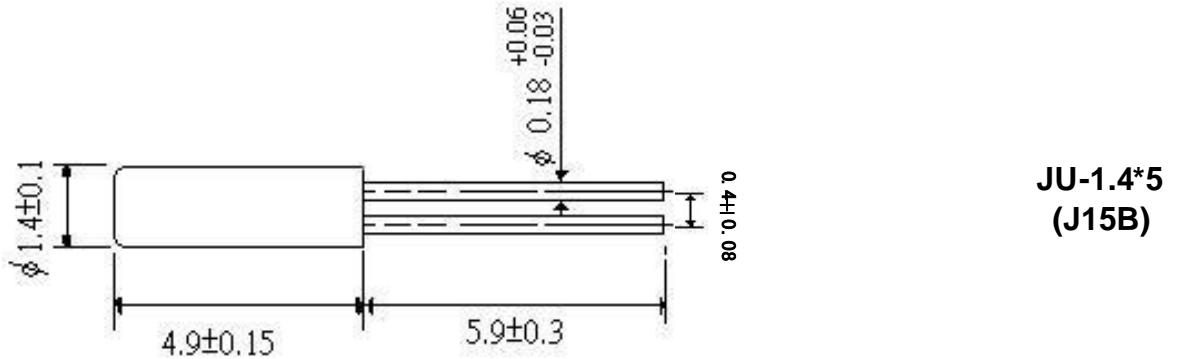
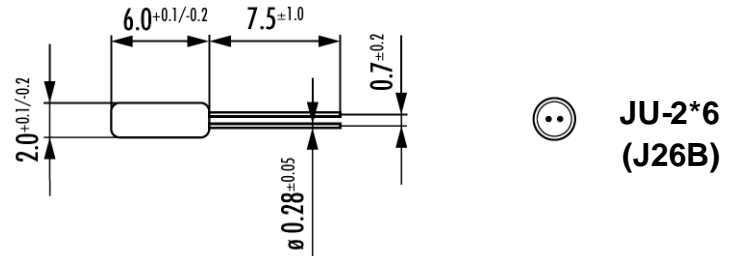
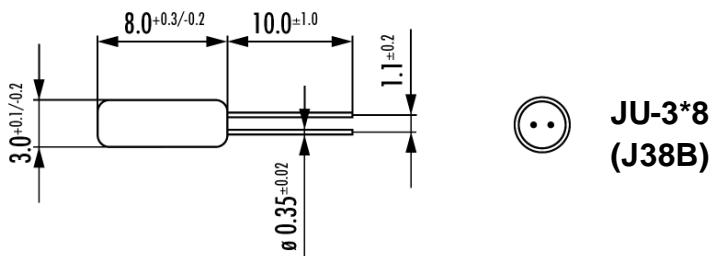
6pF: A	7pF: E	8pF: F	9pF: B
10pF: R	12pF: T	12.5pF: S	

Quartz Crystal Series	JU-3*8(JU38B)	JU-2*6(JU26B)
	JU-2*6/SMD(JU26C/JU26D)	JU-1.4*5(JU15B)

## Ordering Information

Q	R	Type	Pin	XX.XXXX	K	Mode	CL pF	Freq.Tolerance at 25°C	Operating Temp.	Stability Vs.Temp.	Option
Q:Quartz R:Resonator		J38B J26B J15B J26C J26D	Blank:2	Center frequency 16 to 200KHz	K: KHz	F:Fund.:AT	See Table	±10ppm to ±50ppm	See Table	See Table	F:Lead Free T:T&R Blank:Bulk
<b>Example:QRJ26B32.7680KFS2C2F</b> (Crystal,JU-2*6,32.768KHz,2pins,12.5pF,+/-20ppm,-20 to +70deg,+/-20ppm.Bulk,Lead free)											

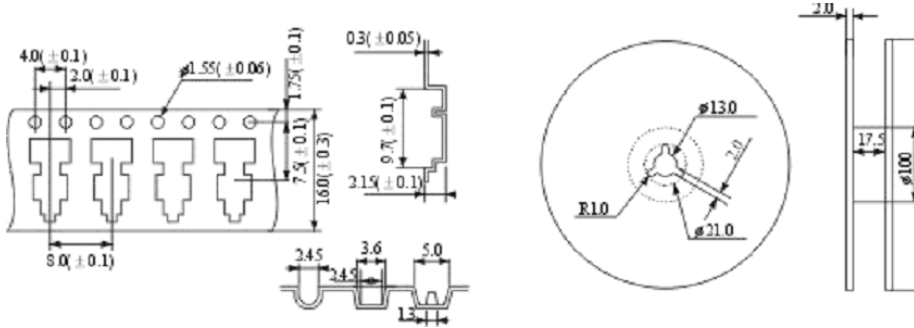
## Dimensions



UNIT:mm

Quartz Crystal Series	JU-3*8(JU38B)	JU-2*6(JU26B)
	JU-2*6/SMD(JU26C/JU26D)	JU-1.4*5(JU15B)

**Taping Specification**



**Reflow Soldering Profile**

